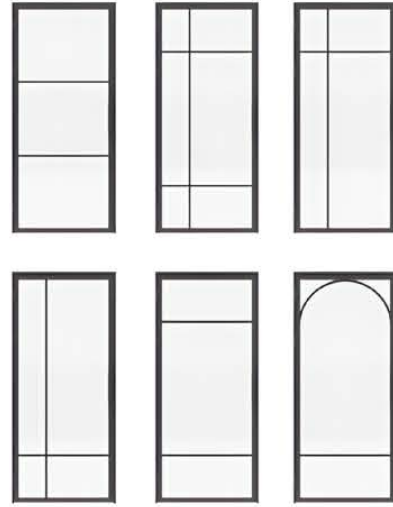


Loft Slim

The Loft Slim Profile System offers a slim, durable design made from certified steel with an extruded aluminum glazing bead. Its ultra-slim 20 mm visible frame thickness ensures stiffness for large doors. Compatible with 4 to 8 mm glass, this system combines elegance with versatility for modern interiors.

The doors made with this profile are CNC processed, hand welded and powder coated.

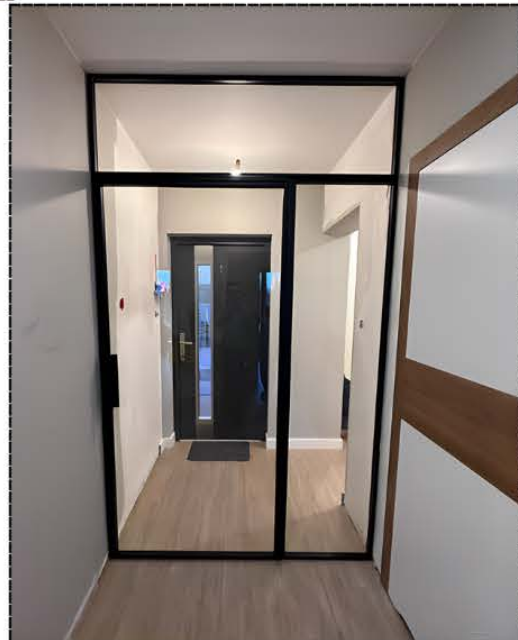


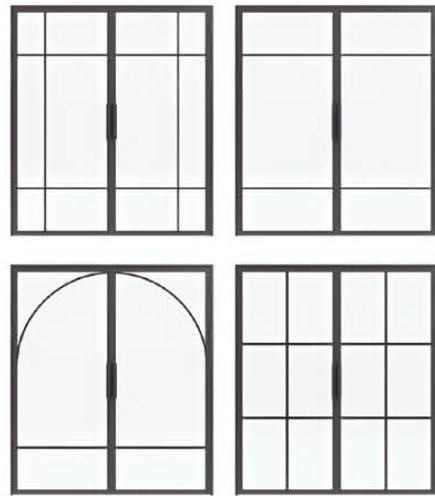
Bars Design

Bar designs presented here are inspiration, full list is available in online configurator.

Hinged Doors

- Any dimensions possible
- Customisable bar design
- Magnet locking with pull handle or lock cassette with handle
- WC lock options
- Fixed panels options (sides or above)
- Soft close options



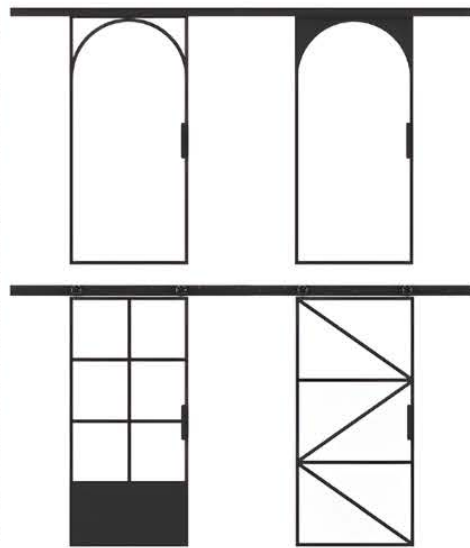


Bars Design

Double Doors

- Any dimensions possible
- Customisable bar design
- Magnet locking with pull handle or lock cassette with handle
- Passive/active leaf bolt as standard
- Fixed panels options (sides or above)





Bars Design

Sliding Doors

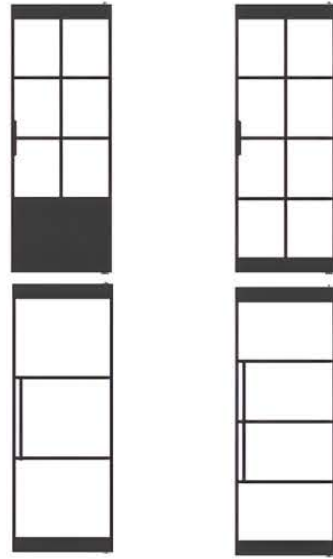
- Any dimensions possible
- Customisable bar design
- Soft close as standard
- Ceiling or wall sliding rail mount
- Fixed panels options available
- No floor rail
- Pocket options available

wall mount



ceiling mount

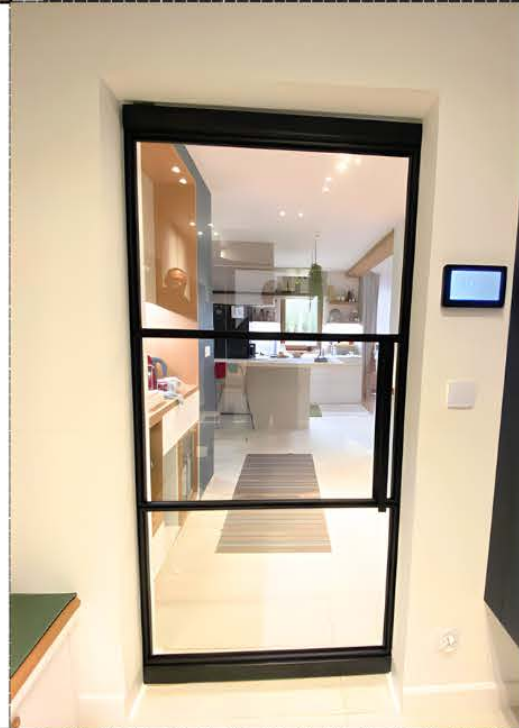


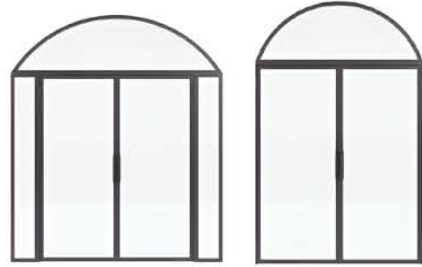
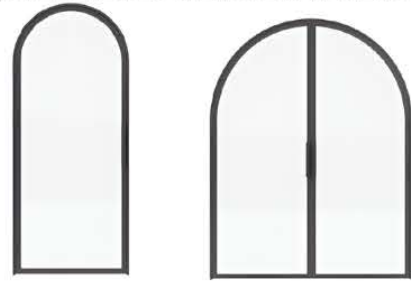


Bars Design

Pivot Doors

- Any dimensions possible
- Single or double
- Customisable bar design
- Fixed panels options available





Construction

Arched doors are available in many options. The design process requires engineer consultation beforehand.

Arched Doors

- Dimensions limited by arch radius
- Special design process
- Customisable bars designs
- Hinged and double hinged options
- Magnet locking with pull handle or lock cassette with handle
- Passive/active leaf bolt as standard





Glass Walls

- Special design option
- Any dimensions possible
- Different door types available
- Acoustic glass options
- Locking options





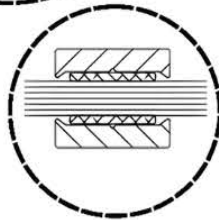
Folding Doors

- Special design option
- Ceiling mounted sliding rail
- Any dimensions possible
- No floor rail



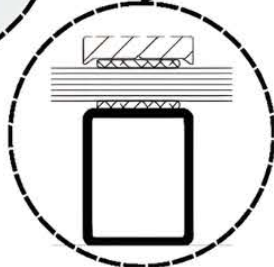
Alu Bar

- Stick-on bar
- 20mm width
- 45° and 90° joints



Alu Bar + Steel

- Stick-on bar on one side (10 , 20 mm)
- Welded construction bar on on the other side
- 20mm width
- 45° and 90° joints



Standard Lock Cassette

- Standard dimensions
- Can be fitted with any handle
- Can be fitted with WC lock
- Can be fitted with key lock



Customised Lock Cassette

- Standard dimensions
- Can be fitted with any handle
- Can be fitted with WC lock
- Can be fitted with key lock



Standard Hinge

- Welded to the frame
- No regulation available

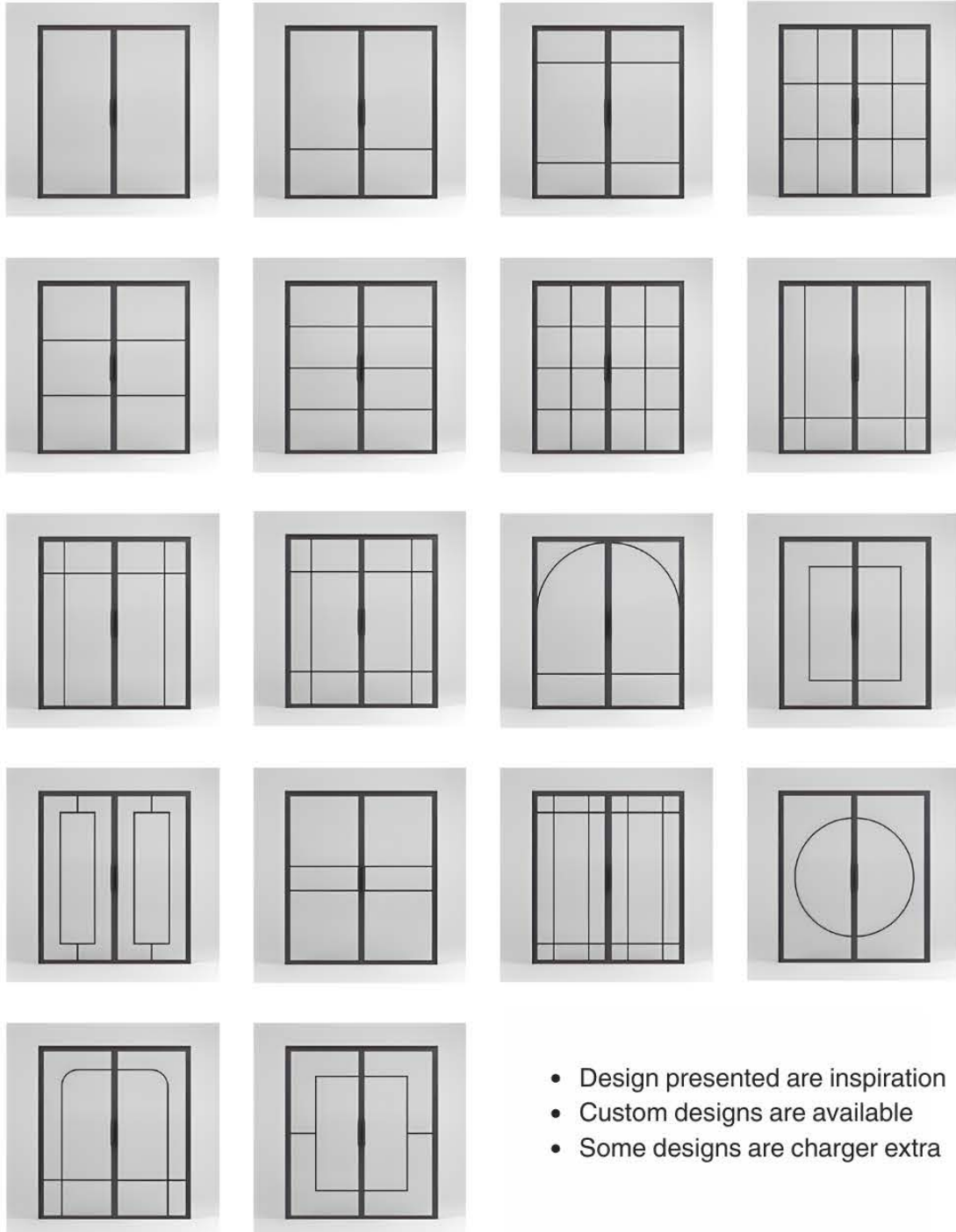


Standard Passive Leaf Shoot Bolt

- Standard in double doors
- Top mounted floor
- Mounted per request



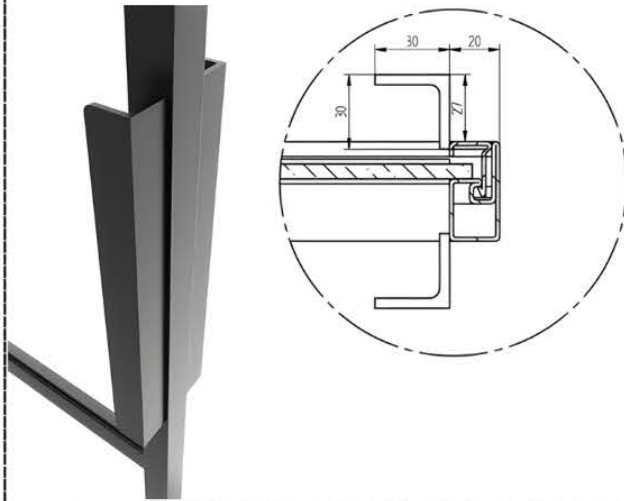
Bar Design Inspirations



- Design presented are inspiration
- Custom designs are available
- Some designs are charger extra

Hammered Steel Pull Handle

- Handcrafted black steel pull handle
- Customisable length
- Coated in the frame colour



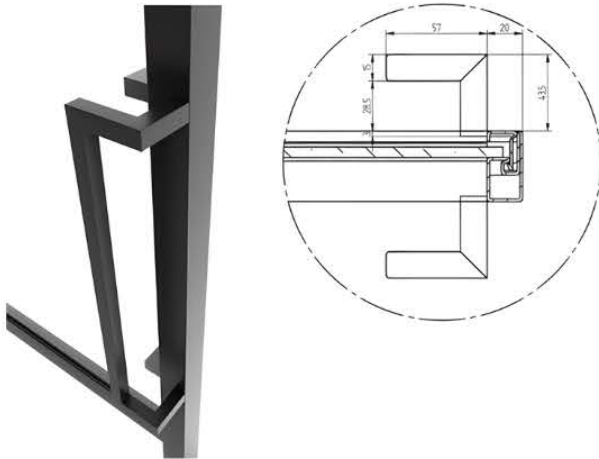
Pull Handle 1

- Laser cut 4mm steel
- Powder coated as frames



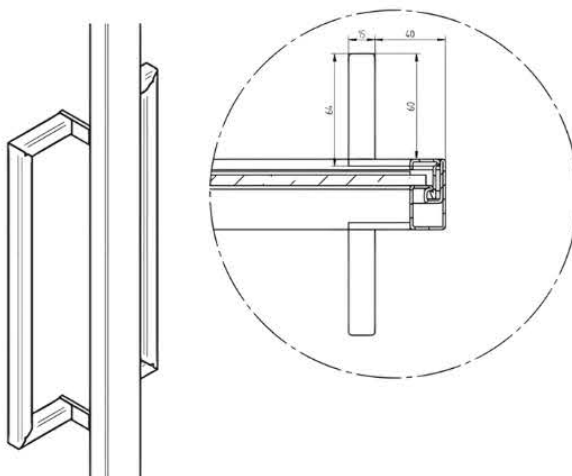
Pull Handle 2.0

- 15x15 mm steel profile
- Coated in the frame colour
- Customisable length option



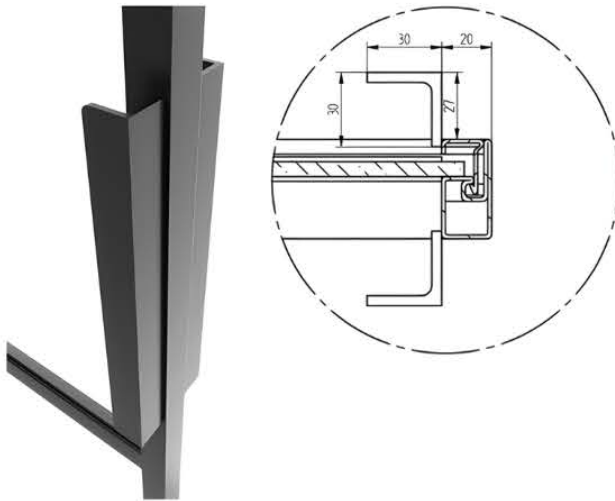
Pull Handle 2.1

- 15x15 mm steel profile
- Coated in the frame colour
- Customisable length option



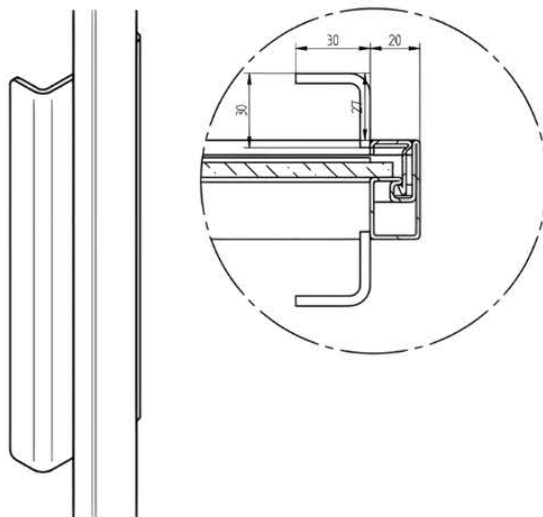
Pull Handle 3.0

- Laser cut steel L-shape
- Customisable length option
- Coated in the frame colour



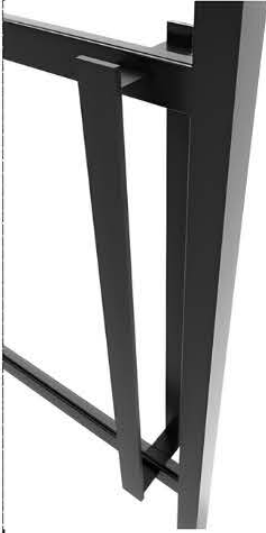
Pull Handle 3.1

- Laser cut steel L-shape
- Customisable length option
- Coated in the frame colour



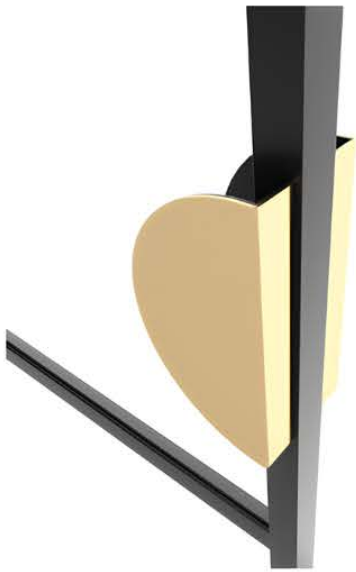
Pull Handle 4

- 20mm steel bar
- Customisable length option
- Coated in the frame colour



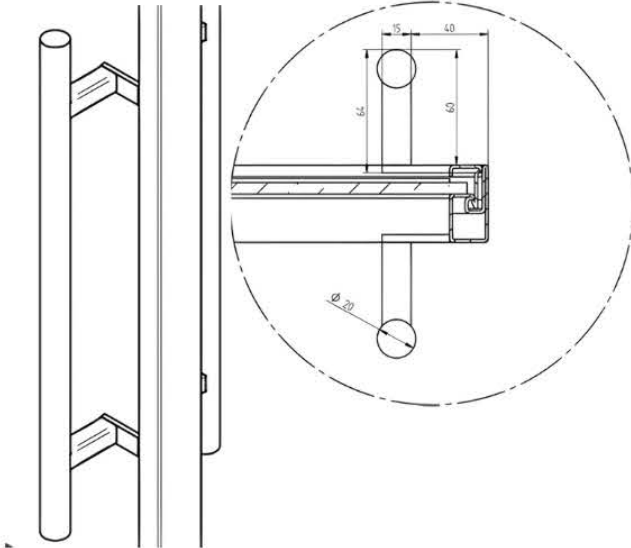
Pull Handle Deco

- Laser cut steel, brass, copper, stainless
- Coated in the frame colour or natural



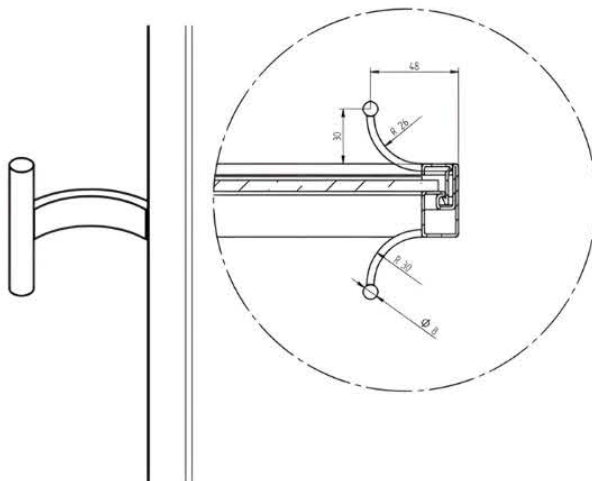
Pull Handle 5.1

- 15 mm steel bar (shape & material options)
- Customisable length option
- Coated in the frame colour



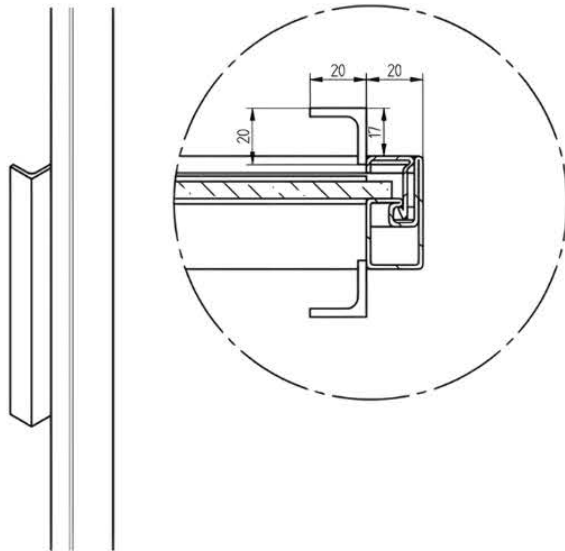
Pull Handle 5.2

- Laser cut steel + steel bar
- Coated in the frame colour



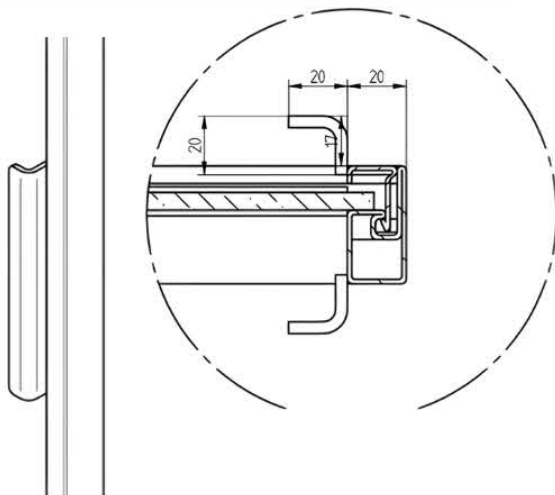
Pull Handle 6.0

- 20mm L -shape (mini version of 3.0)
- Customisable length option
- Coated in the frame colour



Pull Handle 6.1

- Laser cut steel L-shape (3.1 mini ver)
- Customisable length option
- Coated in the frame colour



Novo Handle

Tube Shape
Handle



Top Handle

Square Shape
Handle



Reeded Gold

Reeded Aluminum Gold
Anodized Handle



Reeded Black

Reeded Aluminum Black
Anodized Handle



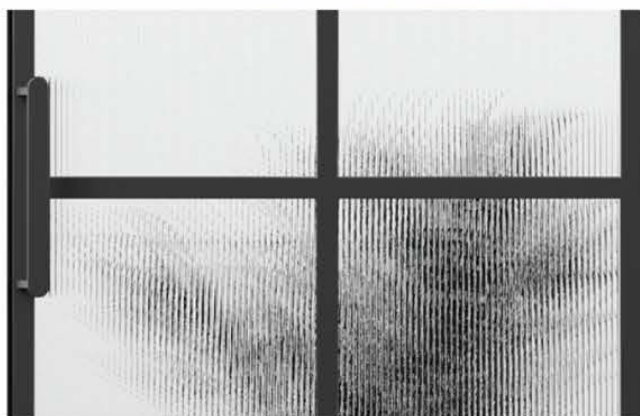
Transparent

- Laminated as standard
- Toughened option
- 6mm or 8mm



Reeded

- Toughened option
- 4mm



Brown

- Toughened option
- 4mm



Fluted

- Toughened option
- 4mm



Wired

- 6mm



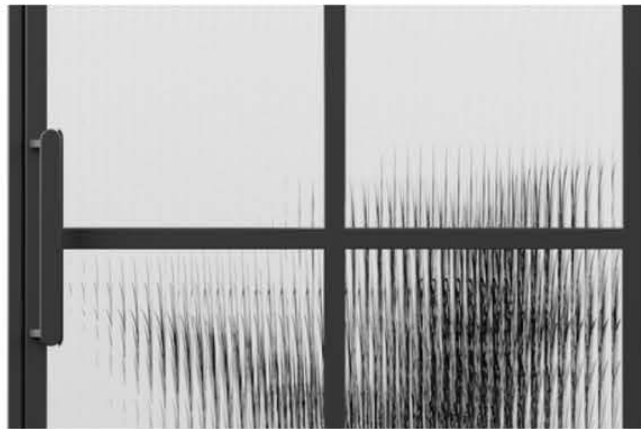
Wired

- 6mm



Fluted

- Toughened option
- 4mm



Cathedral

- Toughened option
- 4mm



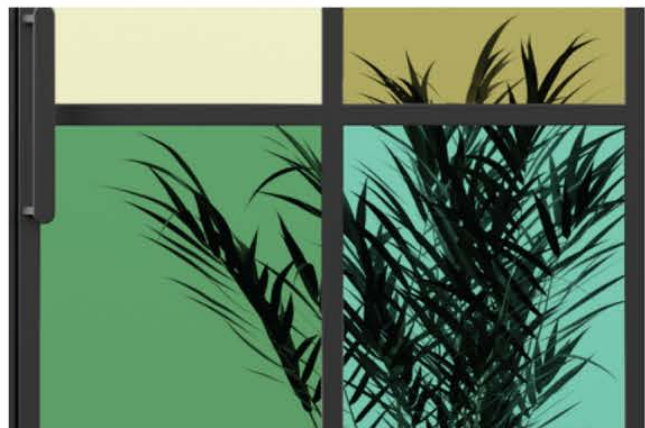
Milky / Satin

- Toughened option
- Laminated option
- 6mm or 8mm



Laminated

- Colour foil
- Laminated
- 6mm or 8mm
- Shape handle



Printed

- Toughened option
- Laminated option
- 6mm or 8mm



colors options

9005 JET BLACK



C4 DARK GOLD



RAL9003 SIGNAL WHITE



C32 BRIGHT BRONZE



RAL7021 BLACK GREY



C34 DARK BRONZE



RAL 7016 ANTHRACITE GREY



C31 LIGHT BRONZE

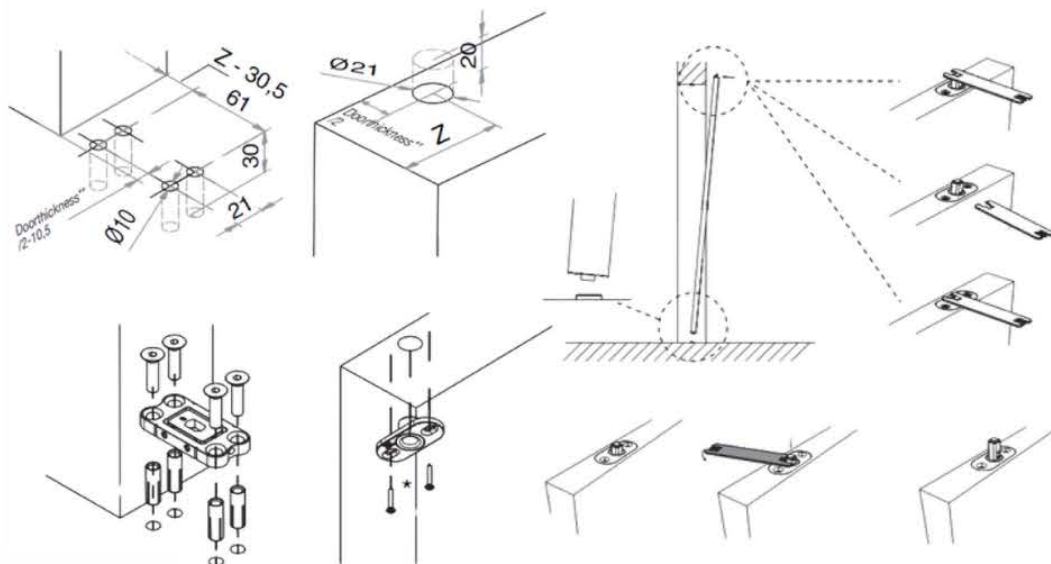
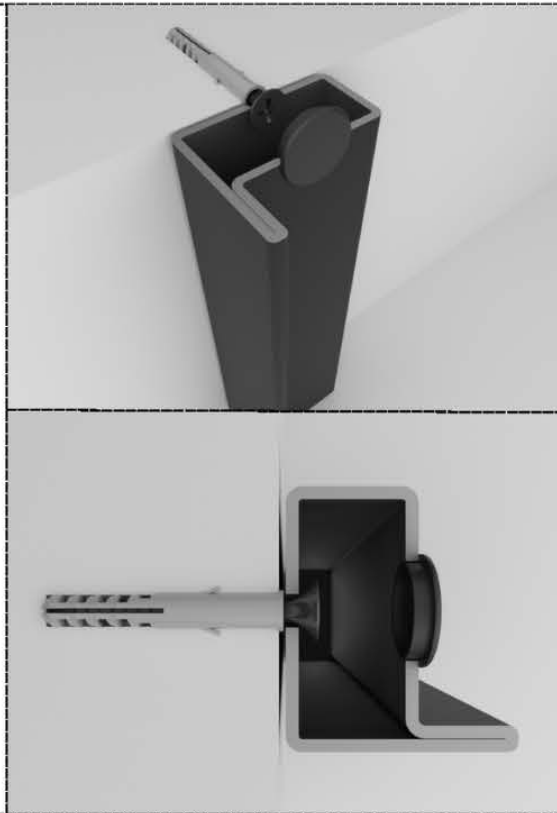


- custom coating is possible in any color

Door Installation

Hinged

The installation is carried out through the door frame profile using expansion bolts. The mounting holes are concealed with plastic caps. The door should be installed in a straight opening with even diagonals. Appropriate expansion gaps should be provided for installation. The door must be leveled during the process. Please note that the door is heavy, weighing approximately 35 kg per square meter.



Pivot

The upper plate is installed in the ceiling or wall above the door opening. Do not install it in a suspended ceiling without proper reinforcements. The lower plate is to be installed on the floor.

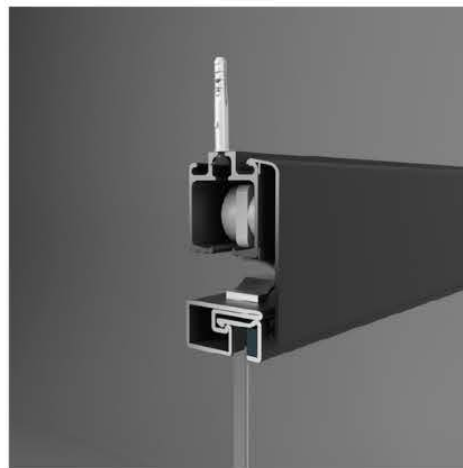
Door Installation

Sliding

The installation is carried out through the door frame profile using expansion bolts. The mounting holes are concealed with plastic caps. The door should be installed in a straight opening with even diagonals. Appropriate expansion gaps should be provided for the installation. The door must be leveled during the process. Please note that the door is heavy, weighing approximately 35 kg per square meter.



Wall Mount



Ceiling mount



Contact Information

Telephone: 020 3649 6080

Email: sales@totallysteeldoors.co.uk

Address: 63 High Street, Orpington, Kent BR6 0JF

totallysteeldoors.co.uk
